

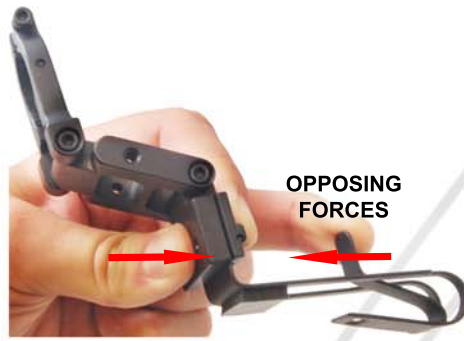
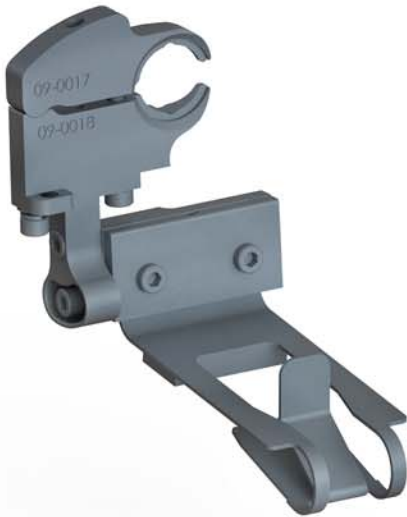


INSTALLATION INSTRUCTIONS FOR UNIDEN R1 AND R3 RADAR DETECTORS

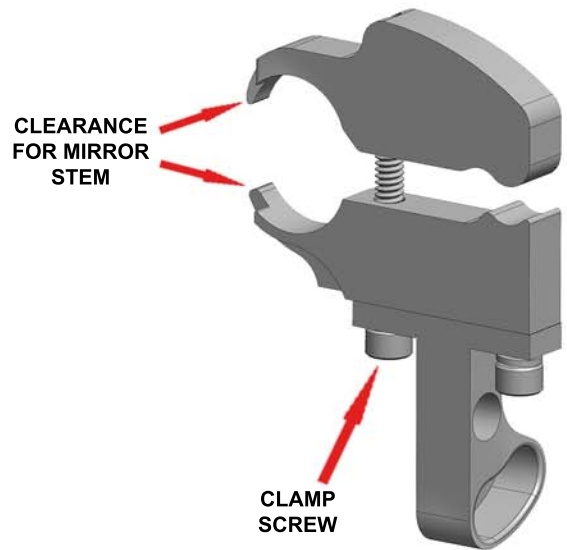
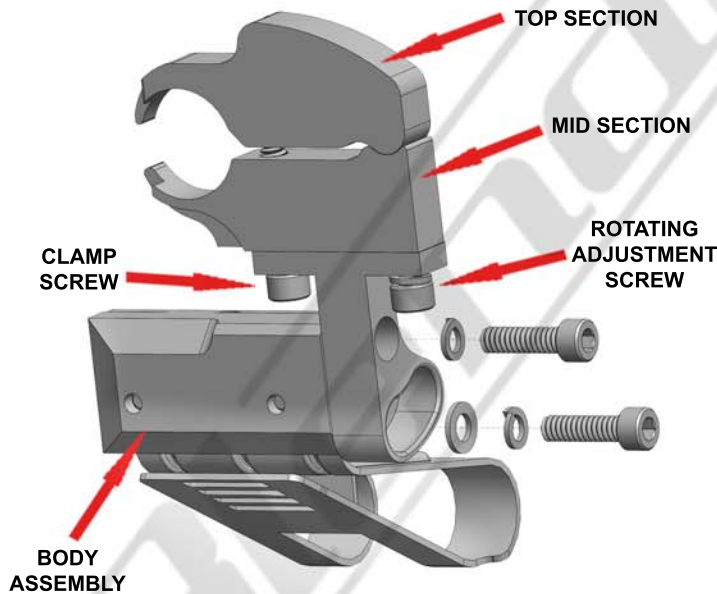
Your rear view mirror has minimal clearance between the back side of the mirror and the mirror stem. It is very important that this mount is installed correctly to ensure mirror adjustability is retained.

PLEASE READ THESE INSTRUCTIONS THOROUGHLY BEFORE INSTALLING THIS MOUNT

NOTE: For illustration purposes, the mount and rear view mirror shown in these instructions may look slightly different than YOUR mount and rear view mirror.

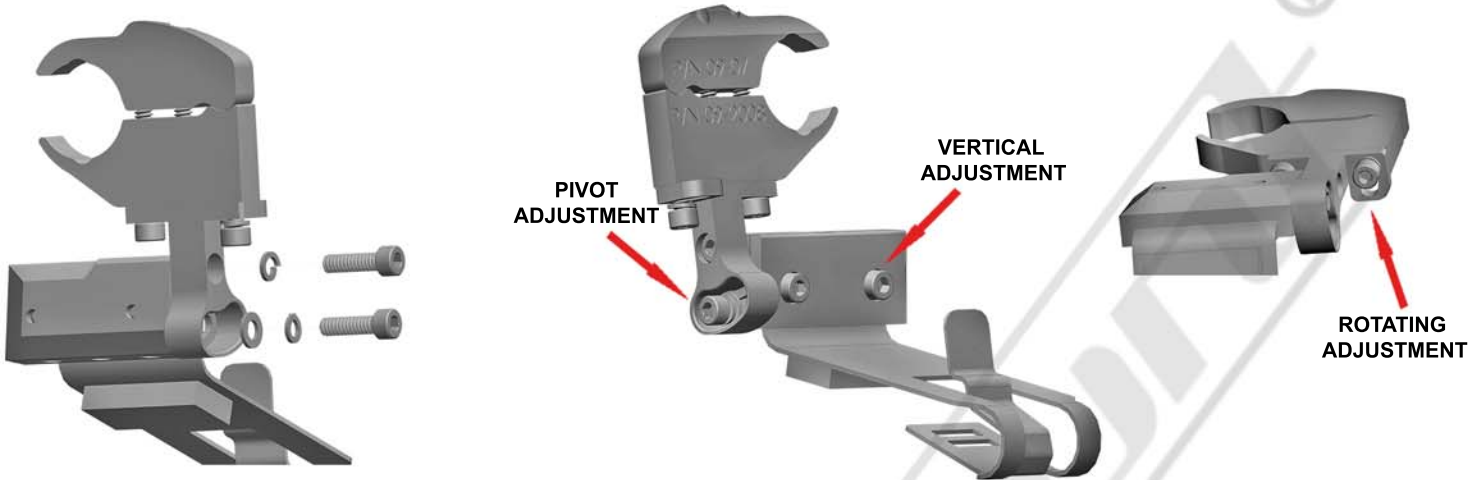


STEP 1 - Install and remove your radar detector (RD) onto the mount before installing it on the rear view mirror so you can observe how the spring clip functions. To release tension from the spring clip, simply squeeze the release tab and the back side of the mount together as shown above. This will lower the bottom portion of the spring clip allowing you to slide the RD on and off the mount. To install the RD, squeeze the release tab and slide the clip into the RD until it locks into position. To remove the RD, squeeze the release tab with one hand and press the RD release button with the other hand. Once the RD slides about 1/8" you can let go of the RD release button and slide the RD off of the spring clip. When used properly, the spring clip avoids putting excessive pressure on the mirror stem when installing and removing the RD.



STEP 2 - The BODY ASSEMBLY must be removed to gain access to the CLAMP SCREW. Remove the two socket head screws as shown above. Be sure to remove the lock washer with the top screw along with the lock washer and flat washer with the bottom screw. Loosen the CLAMP SCREW so there is enough clearance between the TOP and MID SECTIONS to slide over the mirror stem. **YOU MAY ADJUST THE MIRROR PARALELL TO THE WINDSHIELD AND SLIGHTLY UPWARD FOR EASE OF INSTALLATION.**

STEP 3 - BEFORE FULLY TIGHTENING THE CLAMP SCREW, POSITION THE MOUNT AS FAR FORWARD TOWARDS THE WINDSHIELD AS YOU CAN. MAKE SURE THE TOP AND MID SECTIONS ARE TOUCHING AT THE PIVOT POINT. If you can not get them to touch at the pivot point, you have an incompatible mirror type for this mount.



STEP 4 - Reinstall the BODY ASSEMBLY. Install RD onto the mount.

STEP 5 - Use adjustments shown to install RD to your desired position. We recommend adjusting RD as close to bottom of mirror as possible. Be sure to tighten vertical and pivot adjustment screws after adjustments are made. For Pivot adjustment, grab long arm of allen wrench for maximum leverage. You will not strip the threaded holes in the aircraft grade aluminum.



STEP 6 - If the RD is too close to the bottom of the mirror, You may access the buttons on top of the RD by gently pushing downward on the front of the RD with one finger and push the desired button with another finger. Then allow the RD to return to it's original position by gently letting it spring upward. When accessing the buttons, be sure to push the RD downward just enough for your finger to fit between the RD and mirror. **Do not push down more than what is needed.**



SCAN THE QR CODE WITH YOUR SMART PHONE TO VIEW INSTALL VIDEOS

NOTE : This mount can get extremely hot when sitting in direct sunlight. If you intend to remove your RD frequently, you may want to install the two gray "TOUCH STRIPS" included in the tool kit. Place them where your fingers make contact with the mount. They may be trimmed with a blade or knife.

CAUTION

- DO NOT** use this mount if it interferes with the adjustability or the operation of your rear view mirror in any way.
- DO NOT** use this mount if the radar detector creates an unsafe viewing obstruction.
- DO NOT** ATTEMPT TO MODIFY THIS PRODUCT. Consult the manufacturer for assistance.

All BlendMount products are accompanied with detailed installation instructions and adjustment tips. You are encouraged to contact customerservice@blendmount.com or call J28 Design at 1-888-497-8388 for further assistance.

Check the BlendMount Forum for installation tips and some vehicle specific installs.
www.blendmount.com

Your feedback is very important to us. Please email any questions or comments you have to customerservice@blendmount.com

